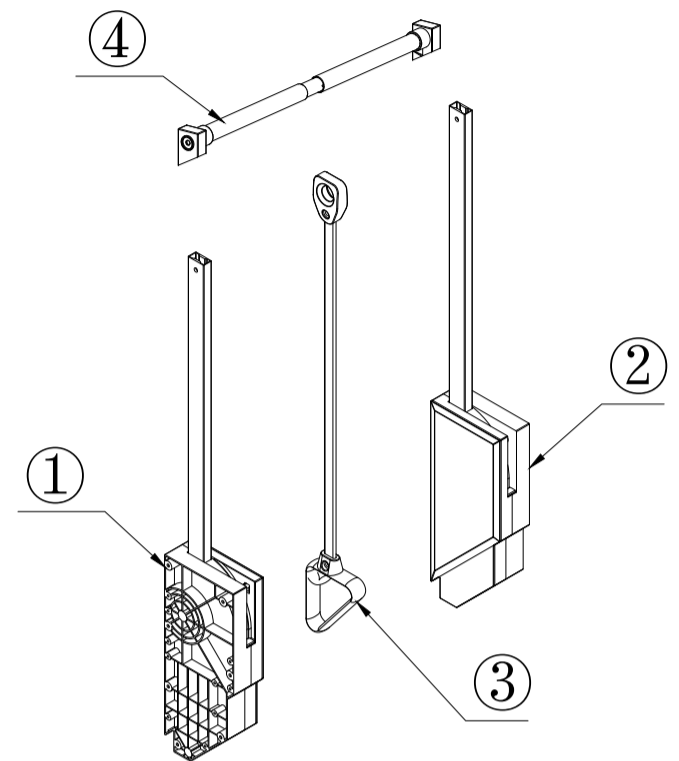
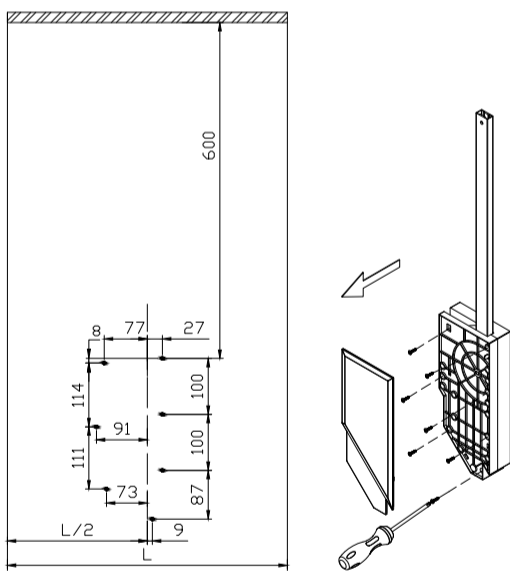


Accessories No.	Accessories	Qty
①	Left Rod	1
②	Right Rod	1
③	Handle	1
④	Middle Rod	1

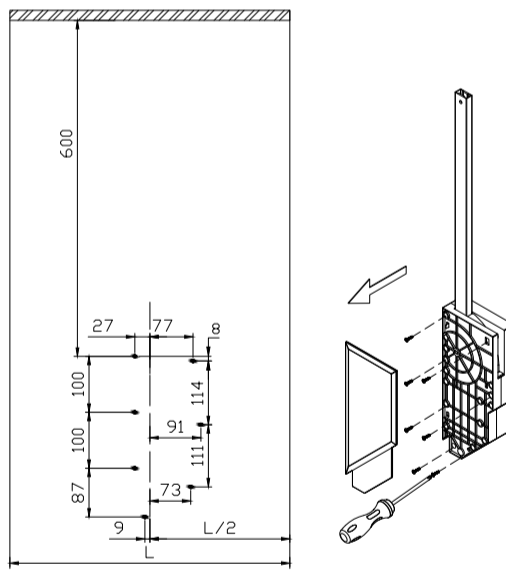


Installation steps

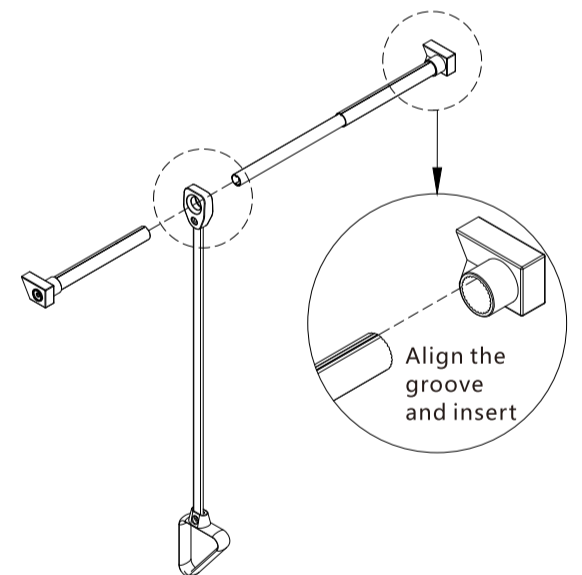
1 Separate the cover of left rod, install the left pull-down closet rod onto wardrobe, and then install the cover.



2 Separate the cover of right rod, install the right pull-down closet rod onto wardrobe, and then install the cover.



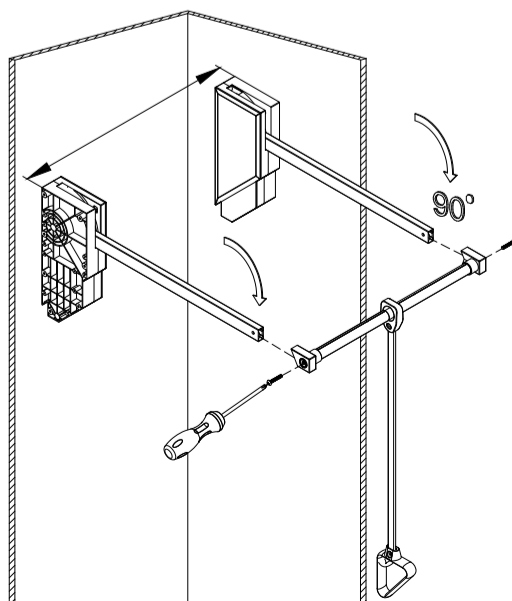
3 Handle installation: firstly pull out one part of the middle rod, and then put the handle onto the middle rod.



4

10002's width can be adjusted from 564 to 764 mm
10003's width can be adjusted from 764 to 964 mm

Pull down the rod to 90°, installs the middle rod and handle with the wanted width and then fixed by screw.



5

Adjust the middle rod to appropriate width, then fastened by L-type allen key.

